

Ultrasonic sensor **US40** series

Feature Description

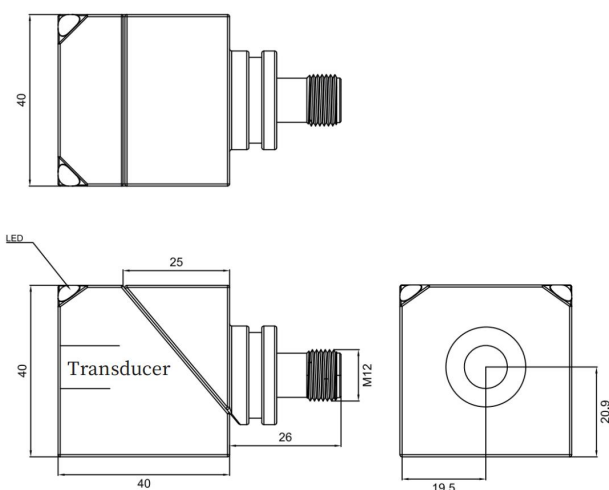
- ◆ Rotatable detection in different directions
- ◆ Compact and easy to install
- ◆ 1 NPN or PNP switch output
- ◆ Analog voltage output 0-5/10V or analog current output 4-20mA
- ◆ Digital TTL output
- ◆ Setting detection distance through teach-in lines
- ◆ Temperature compensation

Model specifications

NPN NO/NC	US40-CC50DNB-E2	PNP NO/NC	US40-CC50DPB-E2
NPN Hysteresis mode	US40-CC50DNH-E2	PNP Hysteresis mode	US40-CC50DPH-E2
0-5V Analog output	US40-CC50DU5-E2	4-20mA Analog output	US40-CC50DI-E2
0-10V Analog output	US40-CC50DU10-E2	Com TTL232	US40-CC50DT-E2

Specifications

Sensing range	40-500mm	Output indication	Successful learning: yellow light flashing; Learning failure: green light and yellow light flashing
Blind area	0-40mm		In A1-A2 range, the yellow light is on, the green light is constantly on, and the yellow light is flashing
Resolution ratio	0.17mm	Input type	With teach-in function
Repeat accuracy	±0.15% of full scale value	Ambient temperature	-25°C...70°C(248-343K)
Absolute accuracy	±1% (temperature drift compensation)	Storage temperature	-40°C...85°C(233-358K)
Response time	50ms	Output characteristics	Support serial port upgrade and change the output type
Switch hysteresis	2mm	Material	Copper nickel plating, glass bead filled epoxy resin
Switching frequency	20Hz	Protection degree	IP67
Power on delay	<500ms	Connection	4 pin M12 connector
Working voltage	20...30VDC		
No-load current	≤25mA		

Dimension

Wiring diagram
